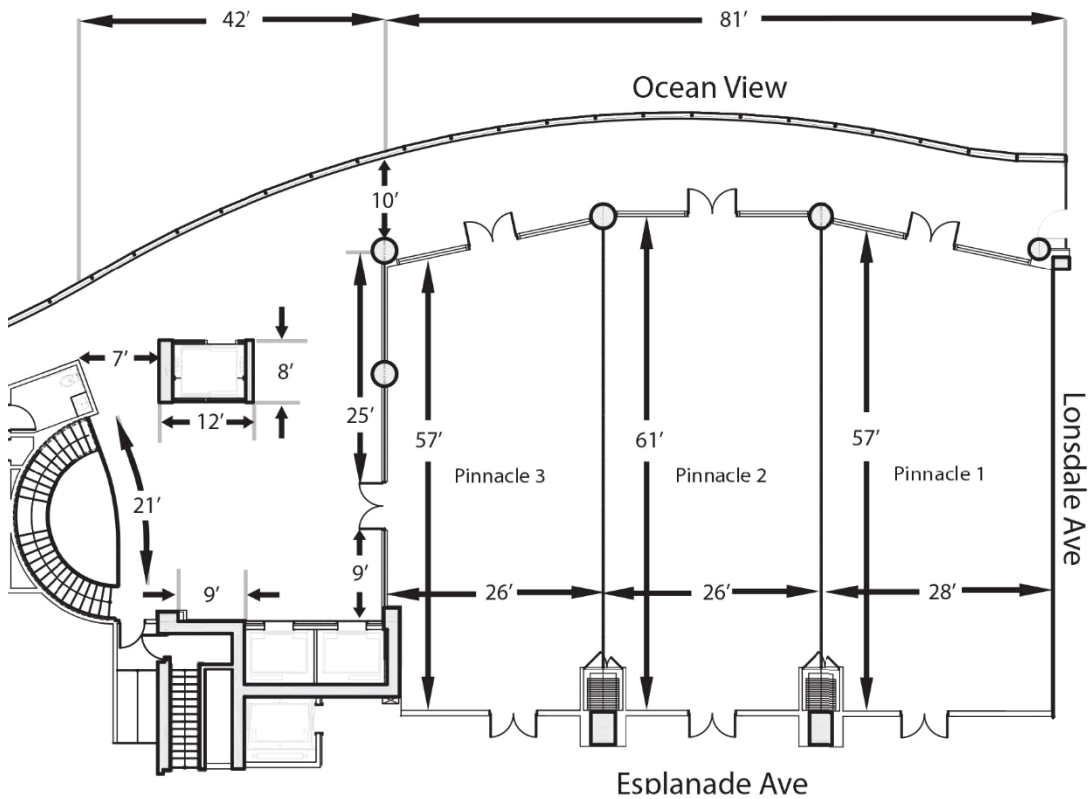


PINNACLE HOTEL  
AT THE PIER

PINNACLE  
BALLROOM



ROOM	DIMENSIONS	SQ. FEET	CEILING	THEATER	RECEPTION	BANQUET (rounds of 10/12)	CLASSROOM	BOARDROOM
PINNACLE ONE	57 x 28	1,596	16' high	180	200	120 / 144	70	40
PINNACLE TWO	61 x 26	1,596	16' high	170	200	110 / 132	70	40
PINNACLE THREE	57 x 26	1,482	16' high	170	200	110 / 132	70	40
PINNACLE BALLROOM (all sections)	57 x 81	4,617	16' high	520	600	340 / 408	210	-
PINNACLE BALLROOM FOYER	11 x 81	891	13' high	-	150	-	-	-

**PINNACLE HOTEL AT THE PIER**

138 VICTORY SHIP WAY, NORTH VANCOUVER, BC

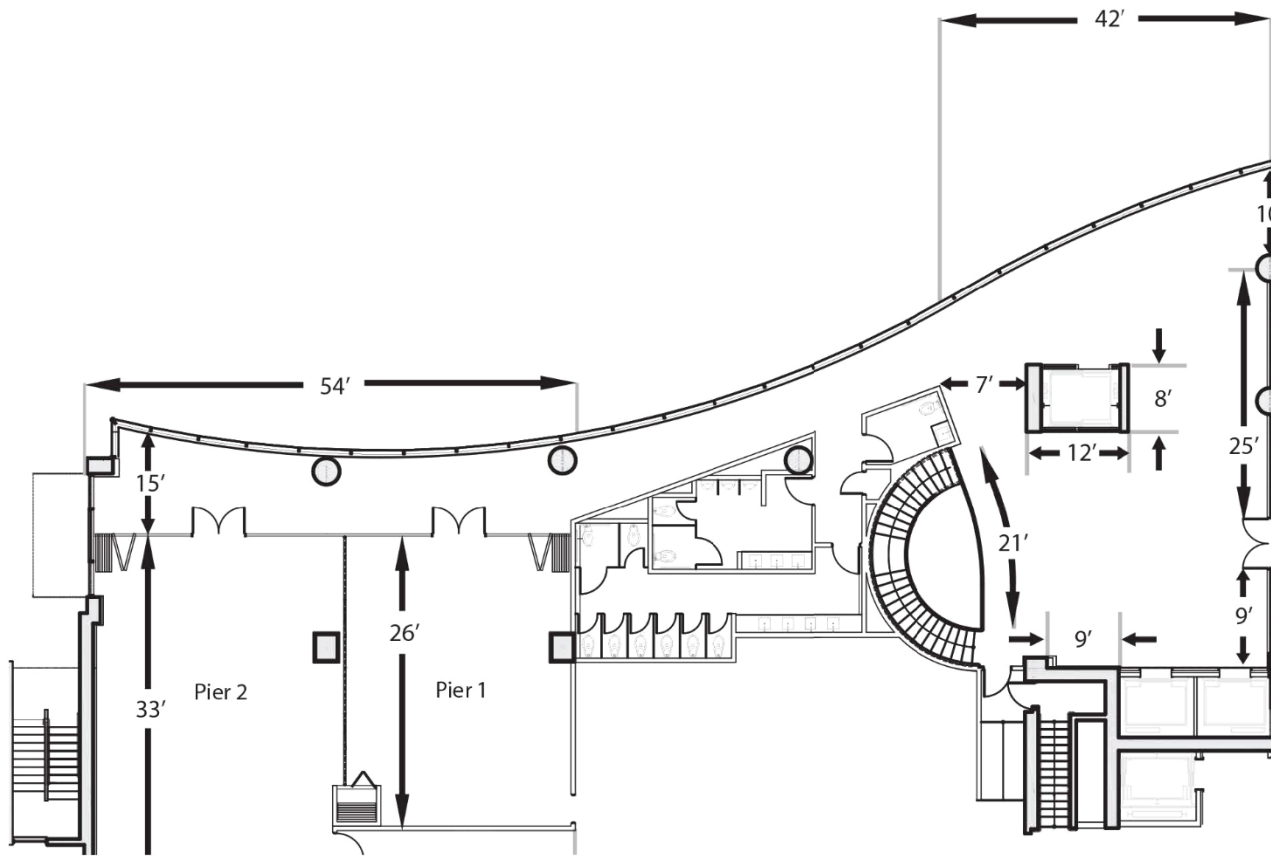
1.604.986.7437

GET A QUOTE AT

[MEETPINNACLE.CA](http://MEETPINNACLE.CA)

PINNACLE HOTEL  
AT THE PIER

# PIER SALON



ROOM	DIMENSIONS	SQ. FEET	CEILING	THEATER	RECEPTION	BANQUET (rounds of 10)	CLASSROOM	BOARDROOM	U-SHAPE
PIER ONE	26 x 25	650	14' high	70	65	60	32	15	15
PIER TWO	33 x 28	924	14' high	100	90	80	52	25	30
PIER SALON (all sections + foyer)	48 x 54	2,395	14' high	180	160	150	84	-	-

**PINNACLE HOTEL AT THE PIER**

138 VICTORY SHIP WAY, NORTH VANCOUVER, BC

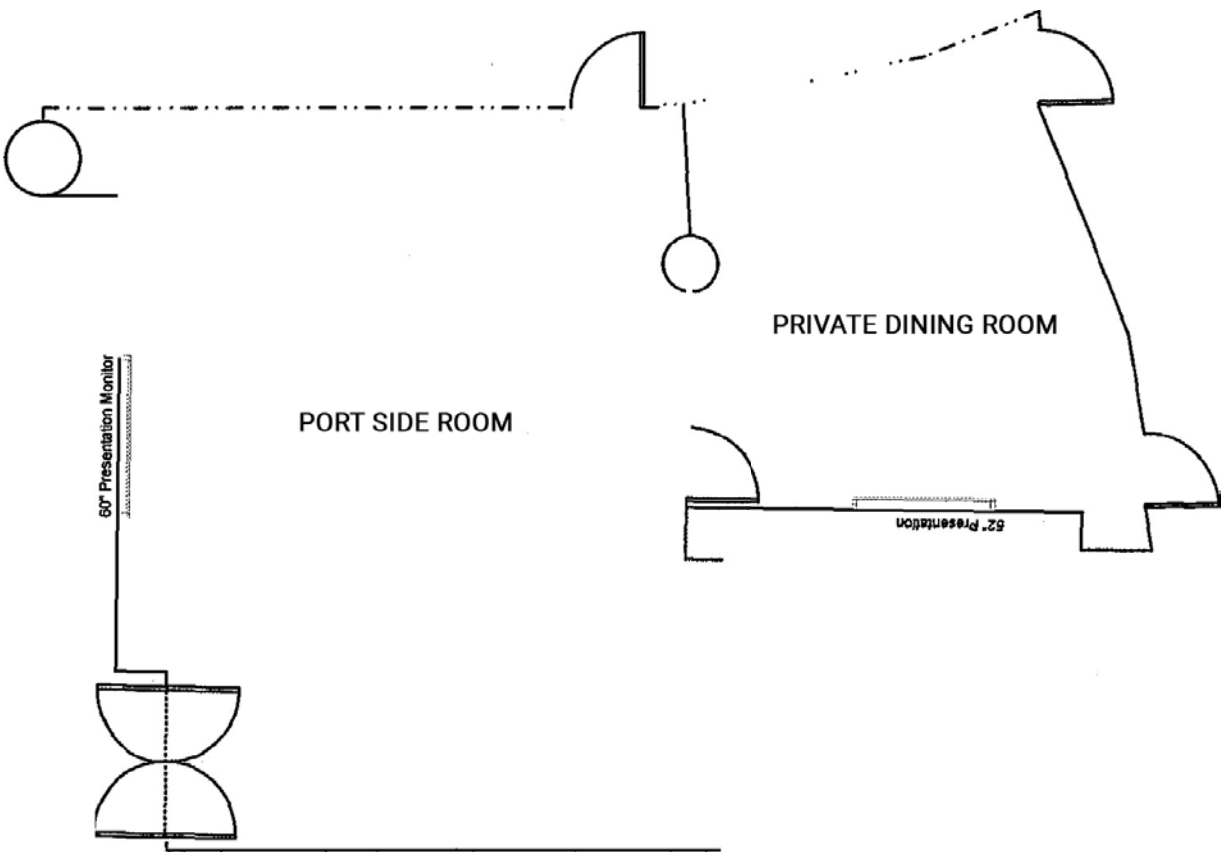
1.604.986.7437

GET A QUOTE AT

[MEETPINNACLE.CA](http://MEETPINNACLE.CA)

PINNACLE HOTEL  
AT THE PIER

PRIVATE  
DINING ROOMS



ROOM	DIMENSIONS	SQ. FEET	CEILING	THEATER	RECEPTION	BANQUET (rounds of 10)	CLASSROOM	BOARDROOM
PORT SIDE ROOM	25 x 28	700	16' high	50	50	60	30	20
PRIVATE DINING ROOM	19 x 20	380	16' high	-	-	-	-	18

**PINNACLE HOTEL AT THE PIER**

138 VICTORY SHIP WAY, NORTH VANCOUVER, BC

1.604.986.7437

GET A QUOTE AT

[MEETPINNACLE.CA](https://www.meetpinnacle.ca)